

Technical features

Master clock

Mic GPS

Description :

- ▶ Keyboard color : blue pantone 653C and pale blue 645C.
- ▶ Casing color : black pantone 432C and pale blue 649C.
- ▶ Casing material : ABS for wall mounted, aluminium frame for 19" rack.
- ▶ Keyboard : 2 keys "select" and "+".
- ▶ Display 16 characters, readability 1 meter.
- ▶ Pilot lamp indicators : power supply green led DCF.
signal emission red led.



Connexion :

- ▶ Power supply : 2 wires + earth.
- ▶ Input : 4 wires from GPS antenna (cable and connecting terminal are supplied).
- ▶ Outputs : DCF signal on 2 wires (current loop 0-20 mA maximum distance 100 meters cable section 0.5 mm²).
- ▶ IRIG B/AFNOR signal available for models ref 907055 and 907056 cable 2 wires section 0.6 mm² maximum length 30 km.

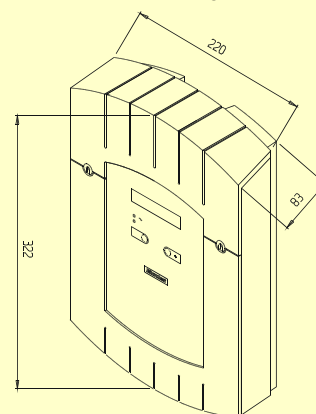
Programmation :

- ▶ Time zone -12H30 +12H30 by steps of 30 min.
- ▶ Selection of the summer/winter time changeover between, Europe, Great Britain, Usa, Gmt, prog. (prog. mode configure a adaptable to all countries automatic changeover mode and fixed date time changeover.

General features :

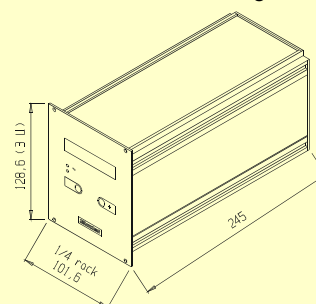
- ▶ Power supply : 230V or 115V +/- 10 % - 50/60 Hz.
- ▶ Power consumption : 100 mA (230V) - 200 mA (115V) - Fuse 250V 0.8A.
- ▶ Accuracy : 0.2 sec/day without GPS signal. Perfect accuracy 5 ms with GPS signal.
- ▶ Operating temperature : - 15° to + 50 °C.
- ▶ Warehouse temperature : - 30 to + 70 °C.
- ▶ Data transmission with GPS antenna is made with RS 422.
- ▶ Automatic time data capture from GPS antenna after cable connection in few minutes.
- ▶ Permanent back up of all parameters in case of power failure with automatic reset on time.
- ▶ Permanent self correction of the internal time base by software trimmer.
- ▶ Programmable RS 422 GPS data signal (7 or 8 bits; 1 or 2 stop bits; without, even or odd parity; baud rate 1200, 2400, 4800 or 9600).
For MIC GPS synchronisation by PC.
- ▶ Standard and programmable winter/summer time changeovers - UTC and local time.
DCF/FI code : norm NFC 90002
- ▶ IRIG B/AFNOR code : norm NFS 87 500A.
- ▶ Applicable norms : EN 60950 - EN 55022 CLASS B - EN 50082-1.
- ▶ No fees or subscription are required for the signal reception.
- ▶ Protection IP41.

Wall mounting



Weight : 1,2 Kg
Dimensions :
220 x 322 x 83 mm
wall fixing with screws

Rack mounting



Weight : 1,6 Kg
Dimensions :
106,3 x 128,6 x 234 mm

Mic GPS with DCF/FI output :

- ▶ wall mounted 230V ref 907050, 115V ref 907060.
- ▶ rack mounted 230V ref 907051, 115V ref 907061.

Mic GPS with DCF/FI + IRIG B/AFNOR outputs :

- ▶ wall mounted 230V ref 907055, 115V ref 907065.
- ▶ rack mounted 230V ref 907056, 115V ref 907066.

