

# Master Clock Systems

## Series 6100 Programme Timer

### UL Listed

#### Features

- Microprocessor-Based
- 4 Circuit Model
- 4 Program Schedules
- 7-Day Programming (Minute Resolution)
- All Programmed Times Available to all Circuits and Schedules
- Manual Override Switches
- Interactive Programming
- 12 or 24 Hour Time Display
- Automatic Daylight-Saving Time Correction
- Liquid Crystal Display (6 Digits)
- 7-Day Battery Standby
- AC Line Synchronous or DC Quartz Time Base
- On, Off, and Pulse Automatic and Manual
- Time-Based Events
- Complies with UL Standard #917



#### Description

The 6100 is a Microprocessor-based program/timer which controls the state of up to four output relays. The control is based either on time and day of week programming by the user, or by the status of the manual override switches. The liquid crystal display indicates time (hours, minutes, and seconds), day of week, and the status of the output circuits. The display is also used for programming, editing, and listing of stored programs.

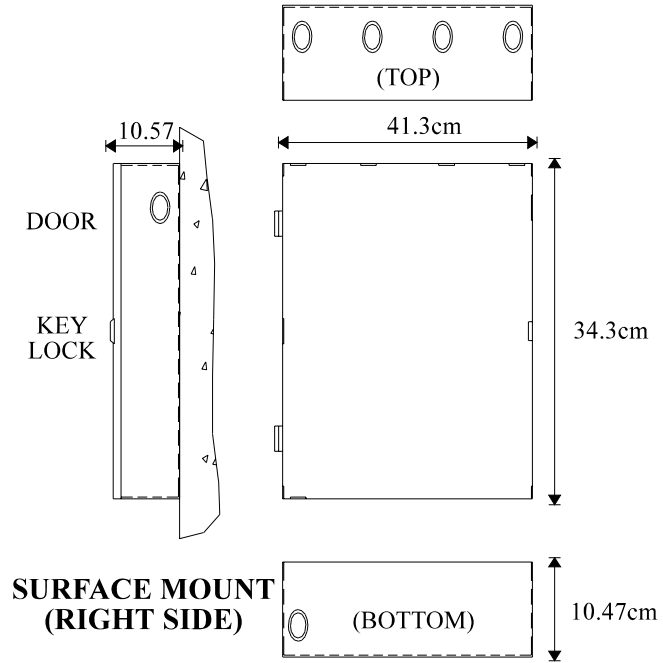
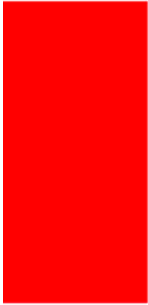
All Programming functions are performed via the keypad.

#### Specifications

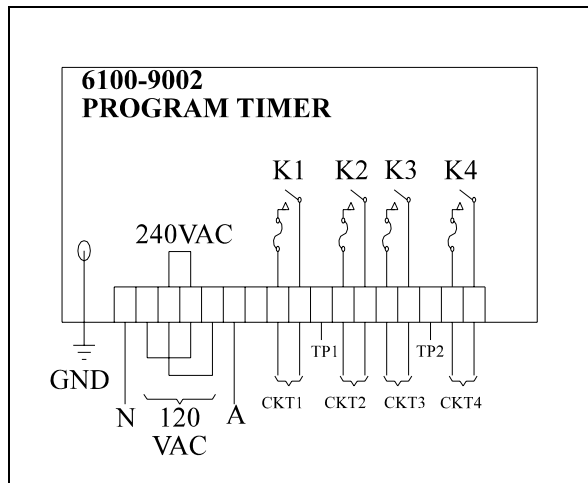
- Input Voltage: 120/240, 60/50Hz Strap Selectable
- Output Contacts: 5 AMPS @ 120VAC or 30VDC Resistive. 3 AMPS @ 240VAC Resistive
- Finish: Beige w/Black trim
- Environmental Limitations: 32° F to 122° F (0°C to 50°C)
- Relative Humidity: 95% Non-Condensing

#### Contact Us

Phone: 13 14 91  
Email: [simplextime.au@tycoint.com](mailto:simplextime.au@tycoint.com)  
Website: [www.simplextime.com.au](http://www.simplextime.com.au)



### 6100 BACKBOX DIMENSIONS AND INSTALLATION DETAILS



### 6100 TERMINATION DETAILS

#### Contact Us

Phone: 13 14 91  
Email: [simplextime.au@tycoint.com](mailto:simplextime.au@tycoint.com)  
Website: [www.simplextime.com.au](http://www.simplextime.com.au)