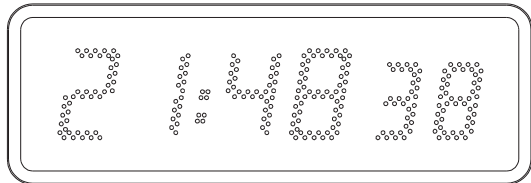


Style 12

**INDEP. QUARTZ
MIN. - 1/2 MIN.
AFNOR / IRIG B
DHF / RADIO**



INSTALLATION AND OPERATING INSTRUCTIONS



B.P. 1
49340 TRÉMENTINES
FRANCE
Tél. : 02 41 71 72 00
Fax : 02 41 71 72 01
www.bodet.com



Réf. : 605863 F

When receiving goods please check nothing is broken otherwise make a claim near shipping company.

Table of contents

| | |
|---|----|
| 1) INSTALLATION | 3 |
| 2) ELECTRICAL POWER SUPPLY | 3 |
| 3) CONNECTION TO A TIMING NETWORK | 4 |
| 3.1. INVERTED POLARITY PARALLEL DISTRIBUTION or AFNOR / IRIG B | 4 |
| 3.2. INVERTED POLARITY SERIES DISTRIBUTION (1/2 minute series) | 4 |
| 4) RADIO SYNCHRONIZED CLOCK : STARTING UP. | 5 |
| 4.1 France Inter or DCF radio synchronised clock | 5 |
| 4.2 DHF clock | 5 |
| 4.3 AFNOR / IRIG-B clock | 5 |
| 5) CONNECTING A TEMPERATURE PROBE TO A <i>STYLE</i> 12 CLOCK | 6 |
| 6) CONNECTING A TIMER CONTROL UNIT TO A <i>STYLE</i> 12 S CLOCK | 6 |
| 7) CONNECTING A DOUBLE FACE CLOCK | 7 |
| 8) CONFIGURATION AND SETTING THE TIME | 8 |
| 8.1. Configuration menu | 8 |
| 8.2. Time setting | 8 |
| 8.3. Reset DHF clock to "Initialisation" mode | 9 |
| 9) TEST | 10 |
| 10) DISPLAY BRIGHTNESS ADJUSTMENT | 11 |
| 11) DATA BACK UP | 11 |
| 12) CLEANING | 11 |
| APPENDIX : TECHNICAL CHARACTERISTICS. | 12 |

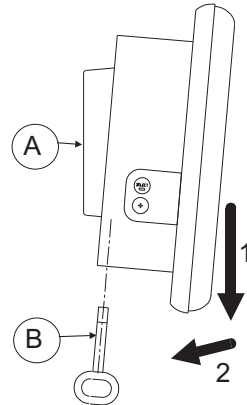
CAUTION :

Only skilled person is authorised for the maintenance service of this clock. Any modification on this product renders the warranty invalid.

1) INSTALLATION

Unhook the wall support (A) from the clock using the key (B), then remove the plug-in connectors. Fix the support (A) to the desired spot using the 4 wall plugs and the 4 screws provided.

- Hooking onto a vertical bracket or side bracket : support (A) fits onto bracket reference no. 935001, and also to the chain suspension reference no. 935002.
- A table support is also available, reference no. 935003.

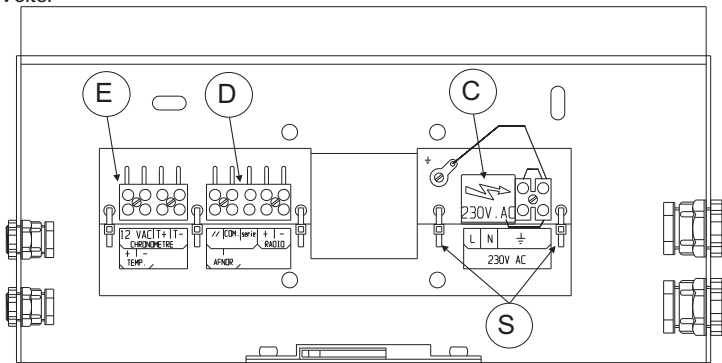


2) ELECTRICAL POWER SUPPLY

- Remove the black protective cover on the terminal block (C). Connect the mains power supply - 115 or 230 Volts 50/60 Hz depending on the model - to the terminal block (maximum wire cross section 1.5 mm² with 5 mm bare). Replace the protective cover. Block the wires with cable clamps (S).

N.B.: The Style clocks have been designed for a mains power supply of 115 or 230 Volts +/- 10 % (depending on the model). This clock is protected by a 1,25 A - 250 V fuse (F1). The mains supply unit for this clock must include a 10 A interlocked circuit breaker. This circuit breaker has to be switched off in case of maintenance operation.

E.g. 230 V clocks will work equally well in countries where the nominal mains voltage is 220 or 240 Volts.



- If the clock is a part of a time distribution network, or if it has a built in radio antenna (Radio FI or DCF) or to a timer control unit, please follow the instructions in Chapters 3 to 7.
- Carry out configuration, set the time and adjust the clock's light intensity as indicated in Chapters 8 to 10.
- If the display "sticks" at a particular time, check that the operating mode that you have selected is "Ind" (cf. Chapter 8).

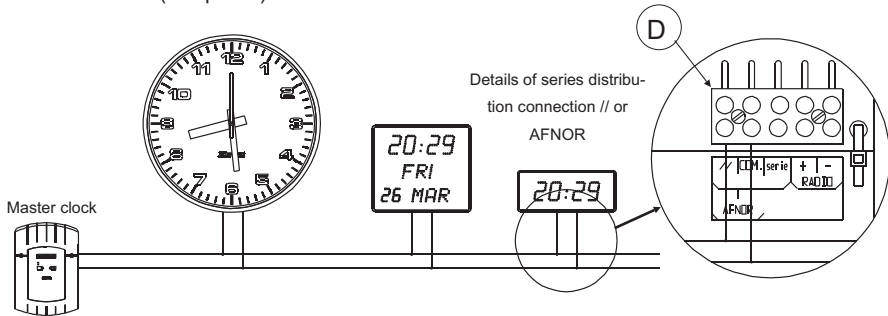
3) CONNECTION TO A TIMING NETWORK

Connect dual voltage 115 or 230 V 50/60 Hz (depending on models) (cf. chapter 2)

3.1. INVERTED POLARITY PARALLEL DISTRIBUTION or AFNOR / IRIG B

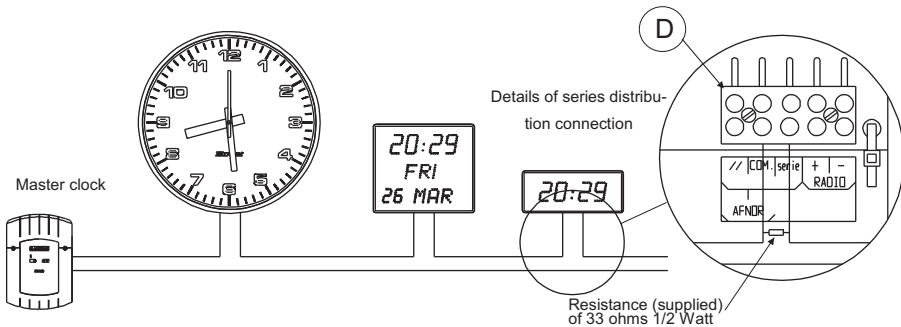
(minute //12-24-28 volts, 1/2 minute// 12-24-48 volt)

- Connect the impulse line to the “/” and “COM” terminals on the terminal block (D).
- Select the impulse type (minute, 1/2 minute or AFNOR depending on the model) and set the clock time (Chapter 8).



3.2. INVERTED POLARITY SERIES DISTRIBUTION (1/2 minute series)

- Connect the impulse line to the “COM” and “series” terminals on the terminal block (D).
- So as to avoid cutting out the network when disconnecting one slave clock, also connect the 33 Ohm 1/2 Watt resistance (supplied) between the “COM” and “series” terminals on the terminal block (D).
- select the impulse type (1/2 minute) and set the clock time (Chapter 8).

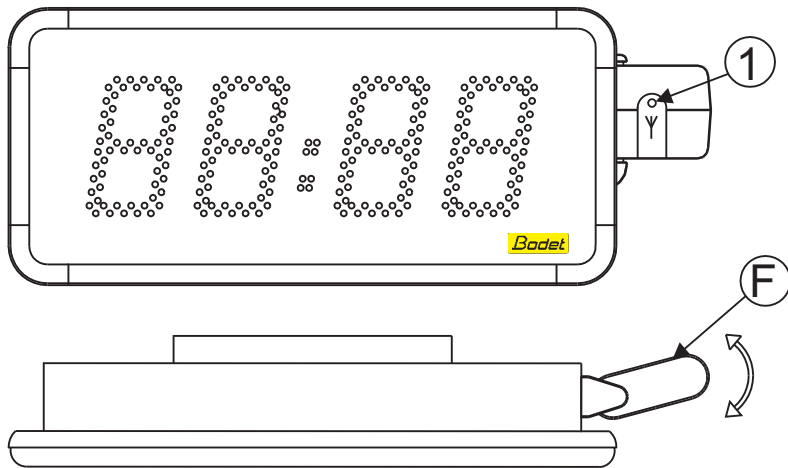


4) RADIO SYNCHRONIZED CLOCK : STARTING UP.

4.1 France Inter or DCF radio synchronised clock

After connection of the clock on its support, orientate the antenna (F) until the LED (1) is blinking regularly.

- If reception is good, the clock will automatically set the time after a few minutes. In areas where radio signal reception is difficult manually set the clock time (chapter 8) whilst awaiting radio synchronization (reception at night is in general better).



4.2 DHF clock

-After connection of the clock on its support, orientate the antenna (F) in line with the clock. On leaving the factory, the DHF clock is set in "Initialisation" mode. On the initial powering up, the time is initialised at 0h00, 1 jan. 2000.

The clock memorises the address of the transmitter and switches to normal mode automatically when time is received.

4.3 AFNOR / IRIG-B clock

-On the initial powering up, the time is initialised at 0h00, 1 jan. 2000.

The clock automatically set up its time base to the correct time when receiving the time message.

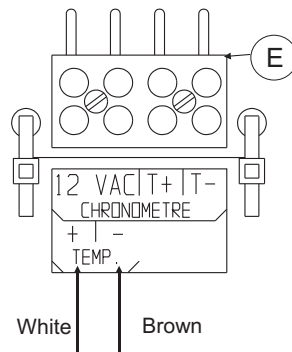
Caution : if the AFNOR signal is lost, the clock continues to operate for 1 hour in independent mode and then the display goes off. Only the separating colon ":", which stops blinking after 1 minute without signal, remains on, indicating that power continues to be supplied to the clock.

5) CONNECTING A TEMPERATURE PROBE TO A STYLE 12 CLOCK

Caution : Style 12S cannot display temperature.

Set up the temperature probe in a well ventilated spot out of the sun and the rain and at a maximum distance of 50m. Care should be taken in choosing where to position the probe in order to ensure that the temperature readings are correct. Avoid south-facing frontages, metal parts and draughts.

- Connect the temperature probe to the "TEMP-" and "TEMP+" terminals on the terminal block (E).
- If the probe is connected the wrong way round, the clock will display 0°C.
- The probe cannot be submerged.

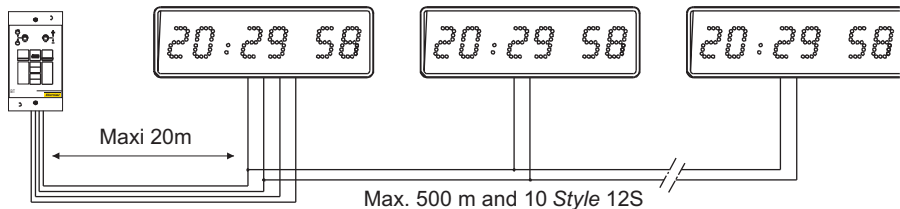
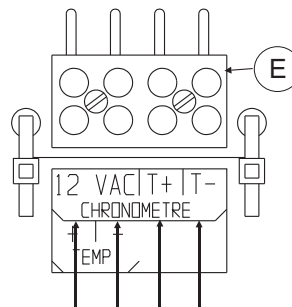


6) CONNECTING A TIMER CONTROL UNIT TO A STYLE 12 S CLOCK

The timer control unit reference no. 936400 operates both ways, to count up and to count down. It has the following different functions : Start, stop, intermediate time, closing of a contact sharp at the end of count up or countdown (to stop on a pre-set time). The timer control unit can drive up to ten *Style 12 S* clocks.

- Connect the timer control unit to the terminal block (E) with a 4 wire cable (T-, T+ and 2 wires for 12 V power supply).

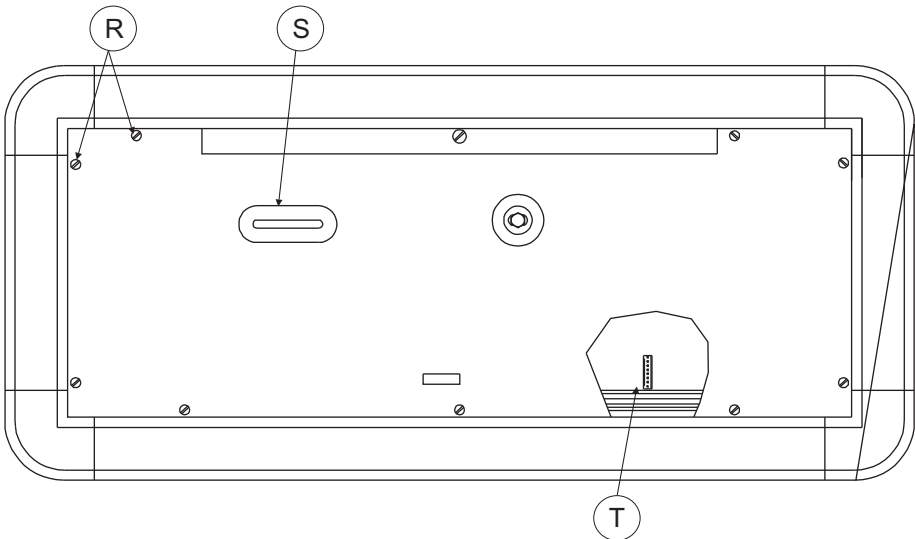
- To chain several *Style 12 S* clocks to the same timer control unit, connect the terminals T- and T+ to their respective terminal blocks (E) with a 2 wire cable (telephone pair). The first clock is still connected to the timer control unit with a 4 wire cable.



- For further details, please consult the timer control unit instruction manual ref.: 604821.

7) CONNECTING A DOUBLE FACE CLOCK

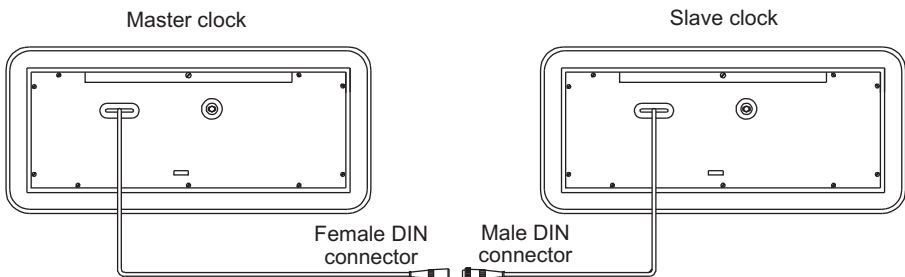
- Open up the 2 clocks by unscrewing the 9 screws (R).



- Pass the connector (HE14) through the grommet (S) on each clock, and connect it to the male connector (T).

Caution :

- 1 - Cables for respectively the master clock and the slave clock are not the same : there is a specific mark for each of these.
- 2 - The cables for the master is one meter long. This cable can not be extended as it may cause a problem with the clock operation mode.



- Close up the clock again.

- Connect the 115 or 230 V 50/60 Hz mains supply (depending on the model) (cf. Chapter 2) and whatever the type of master clock, the slave clock wire to the master clock.

8) CONFIGURATION AND SETTING THE TIME

- **Note** : Position of the “**Select**” and “**+**” keys
- These two keys are located on the lefthand side of the clock.
- The “**Select**” key is above the “**+**” key.

In all the menus, you use the “**+**” key to choose your settings and the “**Select**” key to confirm them.

8.1. Configuration menu

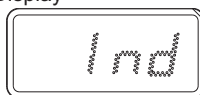
To access this menu, press the “**Select**” key for 3 seconds.

- The clock displays the previously selected operating mode :

Operating Mode

Display

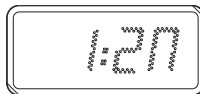
Independent or integrated radio synchronization



Slave Minute
(on INDEP. QUARTZ/MIN. - 1/2 MIN. Model)



Slave 1/2 Minute
(on INDEP. QUARTZ/MIN. - 1/2 MIN. Model)



Slave Afnor / Irig B
(on INDEP. QUARTZ/MIN. AFNOR-IRIG B model)



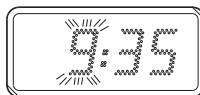
Note : If an antenna has been connected, the “**Ind**” mode is selected automatically. Pressing “**+**” will have no effect and it is not possible to select “**Min**”, “**1/2 M**” or “**Afn**”.

8.2. Time setting

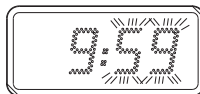
In the configuration menu, when the selected mode, e.g. “**Ind**” is displayed, press the “**Select**” key to confirm.

The clock then moves on to the set time mode.

The hours flash
Set the hours and confirm.



The minutes flash
Set the minutes and confirm.



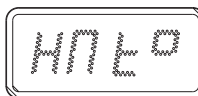
NB. the seconds are reset to zero each time the minutes are reset.

Then, if a temperature probe is connected, the clock is switching to the option for selecting the alternative display of time and temperature, otherwise this last press enables to escape from "Setting the time" menu after running the self test :

- Switching on all the Leds for 2 seconds,
- Switching off all the Leds for 1 second,
- Return to normal display.

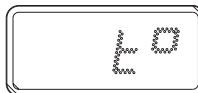
Alternative display menu for time and temperature :

Alternate display time/temperature :

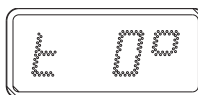


Press "+" key

Display of temperature only



After selecting the option, press "**Select**" key to confirm, the temperature adjusting menu displays :



Press "+" key to adjust the displayed temperature by adding up to +9°C or decreasing up to -9°C.

This adjustment enables to calibrate the displayed temperature according to the official temperature.

Once the adjustment is over, press "**Select**" key to confirm.

This last press enables to escape from "Setting the time" menu after running the self-test :

- Switching on all the Leds for 2 seconds,
- Switching off all the Leds for 1 second,
- Return to normal display.

8.3. Reset DHF clock to "Initialisation" mode

On leaving the factory, the DHF clock is set in "Initialisation" mode.

However, it can be necessary to set it again in this mode.

Press the "+" key for 3 seconds to enter in the TEST menu.

The TEST menu displays :

- the construction of the time message as and when the data arrive,
- only the separating colon when the data do not arrive.

From this TEST menu, press the "Select" key for 6 seconds.

- The clock displays 0:00 for 5 seconds then display disappears. The clock is now reset to "Initialisation" mode. Press "+" key to exit this menu.

9) TEST

A brief self-test (on and off) is carried out automatically on exiting the configuration menu.

A more complete test can be carried out on request.

To start this test, press the “+” for 3 seconds

This test displays :

- The software version number,
- Total light-up for 3 seconds,
- Total switch-off for 3 seconds,
- The current operating mode (“**Ind**”, “**Min**”, “**1/2 M**” or “**Afn**” depending on the model) for 2 seconds.

If the mode is “**Ind**” :

Case 1 :

No antenna detected : end of the test, return to normal display.

Case 2 :

Antenna detected, not recognized :

- “Ant” displayed for 2 seconds,
 - dynamic reception : “0:00” displayed, the “:” flash as the bits are decoded and then the digits are displayed as they are received.
- After 10 minutes : end of the test, return to normal display.
You can exit this test mode by pressing the “+” key.

Case 3 :

Antenna recognized :

- recognized antenna type (“**FldC**” or “**MSF**”) displayed for 2 seconds,
 - dynamic reception : “0:00” displayed, the “:” flash as the bits are decoded (idem LED of the antenna) and then the digits are displayed as they are received.
- After 10 minutes : end of the test, return to normal display.
You can exit this test mode by pressing the “+” key.

If the mode is “**Min**” or “**1/2M**” :

End of the test, return to normal display with the “:” that remains constant until the reception of the following pulse.

If the mode is “**AFn**” :

- black display with the “:” that remains constant for 3 seconds.
 - dynamic display of received messages.
- Upon reception of 3 coherent and consecutive messages or after a minute : end of test.

10) DISPLAY BRIGHTNESS ADJUSTMENT

- Note : on the “outdoor” models, the light intensity sets itself automatically.

On the “indoor” models,

- the light intensity can be set when the *Style S* clock is in normal operation, i.e. when it is not in the configuration and set time menu.

- Pressing the “+” key a number of times lets you select directly from four different levels whichever display intensity is best suited to the surrounding lighting conditions.

11) DATA BACK UP

- *Style* clocks are fitted with a device for storing the configuration parameters even in the event of an extended power failure.

- However the date and time may be “lost” following a lengthy power failure (in excess of 72 hours). In this case, the clock will display “0:00” when the power supply is restored. This occurs notably when the clock is first brought into service.

- Whenever the clock displays “0 :00” following a power failure, the time needs to be reset (cf. Chapter 8). However on radio-synchronized clocks connected to an antenna, the time will be reset automatically.

12) CLEANING

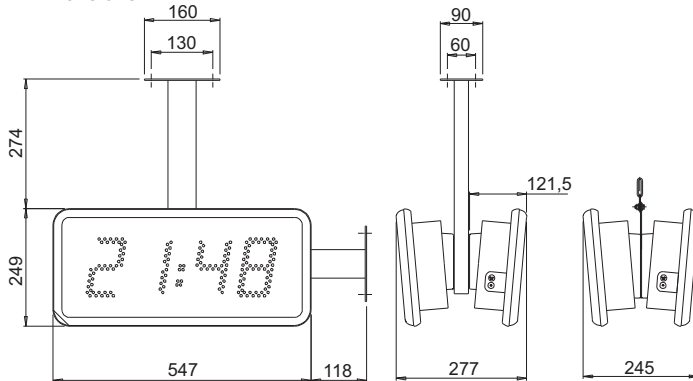
Use an antistatic product of similar type to the one shipped in the original packaging. Never use alcohol, acetone or any other solvent liable to damage the casing and filter on your *Style* clock.

APPENDIX : TECHNICAL CHARACTERISTICS

- Power supply : 115 or 230 V +/- 10 % 50/60 Hz (depending on the models).
- Consumption of the slave clocks connected on // network : 6 mA to 24 V.
- Voltage drop by slave clock (with shunt 33 Ohms) connected on series network : 2V to 60mA.
- Save time setting in case of power cut : 72 hours.
- Save other parameters : permanent.

| | Style 12 inside | Style 12 outside | Style 12 S inside | Style 12 S outside |
|------------------------------------|------------------------|---------------------|------------------------|-----------------------|
| Operating temperature | 0 to +50°C | -40 to +70°C | 0 to +50°C | -40 to +70°C |
| Weight (+ wall support : 0,6kg) | 5 kg | 5,1 kg | 6,4 kg | 6,6 kg |
| Maximum nominal current (mA) | Red : 40 - Yellow : 54 | | Red : 70 - Yellow : 85 | |
| Protection : IP | 51 | 53 | 51 | 53 |
| Consumption (VA) | Red : 9 - Yellow : 12 | | Red : 16 - Yellow : 19 | |

Style 12 - Dimensions :



Style 12S - Dimensions :

