

Master Clock Systems

Series 6400 Master Clock

UL Listed

Features

- Microprocessor Based
- Controls Synchronous Wired, Power Line
- Carrier and Celestra® Clock Systems
- 6 Local Program Control Circuits
- 7 Day Programming (Seconds Resolution)
- Automatic Daylight Saving Time Correction
- Manual Override Switches
- 12 or 24 Hour Time Display
- Interactive Programming
- Liquid Crystal Display (6 Digits)
- All Programmed Times Available to All
- Circuits and Schedules
- 60 Day Battery Standby (Memory & Timekeeping)
- 4 Program Schedules
- 1000 Program Events
- AC Line Synchronous or DC Quartz Time Base
- Wall or 19" Rack Mount
- Impulse Clock Control
- Coded Receiver Interface
- Temperature Compensated Crystal
- Oscillator - TCXO
- Complies with UL Standard 863



Panel & Rack Mounted 6400 Time Control Centre

Description

The 6400 Time Control Centre provides accurate time keeping for control of Simplex Secondary clocks such as Celestra® BCD data clocks, synchronous wired, power line carrier, and minute impulse clocks, as well as most non-Simplex system clocks. In addition, the 6400 has programmable time and day of week referenced control of six output circuits.

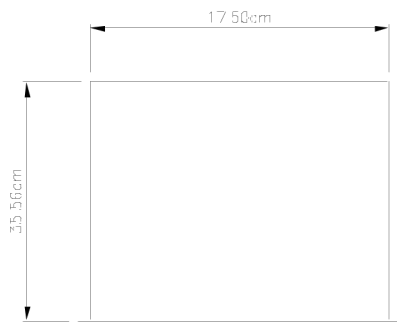
A liquid crystal display shows the time, day of week, and the status of the six output circuits. The display is also used for programming, editing and reviewing of stored programs. The state of the six output circuits is programmed by the user through a keypad or may also be controlled by six manual override switches. The user may program from one to four independent schedules within the 6400. Changing between schedules is accomplished from the keyboard and may be done at any time.

Contact Us

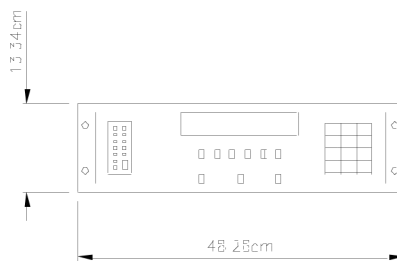
Phone: 13 14 91
Email: simplextime.au@tycointl.com
Website: www.simplextime.com.au

Specifications

- Input Voltage: 120/240VAC, 50/60Hz. Strap Selectable
- Output Contacts: 5 Amp @ 120 VAC or 30VDC Resistive. 3 Amp @240VAC Resistive
- Output Voltage (with impulse option): 2 Amp @ 24, 36 or 48 Volts
- Finish: Beige w/Black Trim - Wall Mount OR Black w/Black Trim - Rack Mount
- Time Base: AC Line Monitor (Line Frequency). DC Quartz \pm 30 Seconds/Month from 0oC to 50oC. TCXO (Option) \pm 3 Seconds/Month from 0oC to 50o
- Environmental Limitation: 32o to 122oF (0o to 50oC)
- Relative Humidity (Non-Condensing): 95% non-condensing

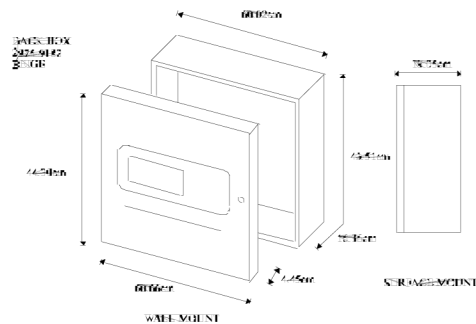


TOP VIEW



FRONT VIEW

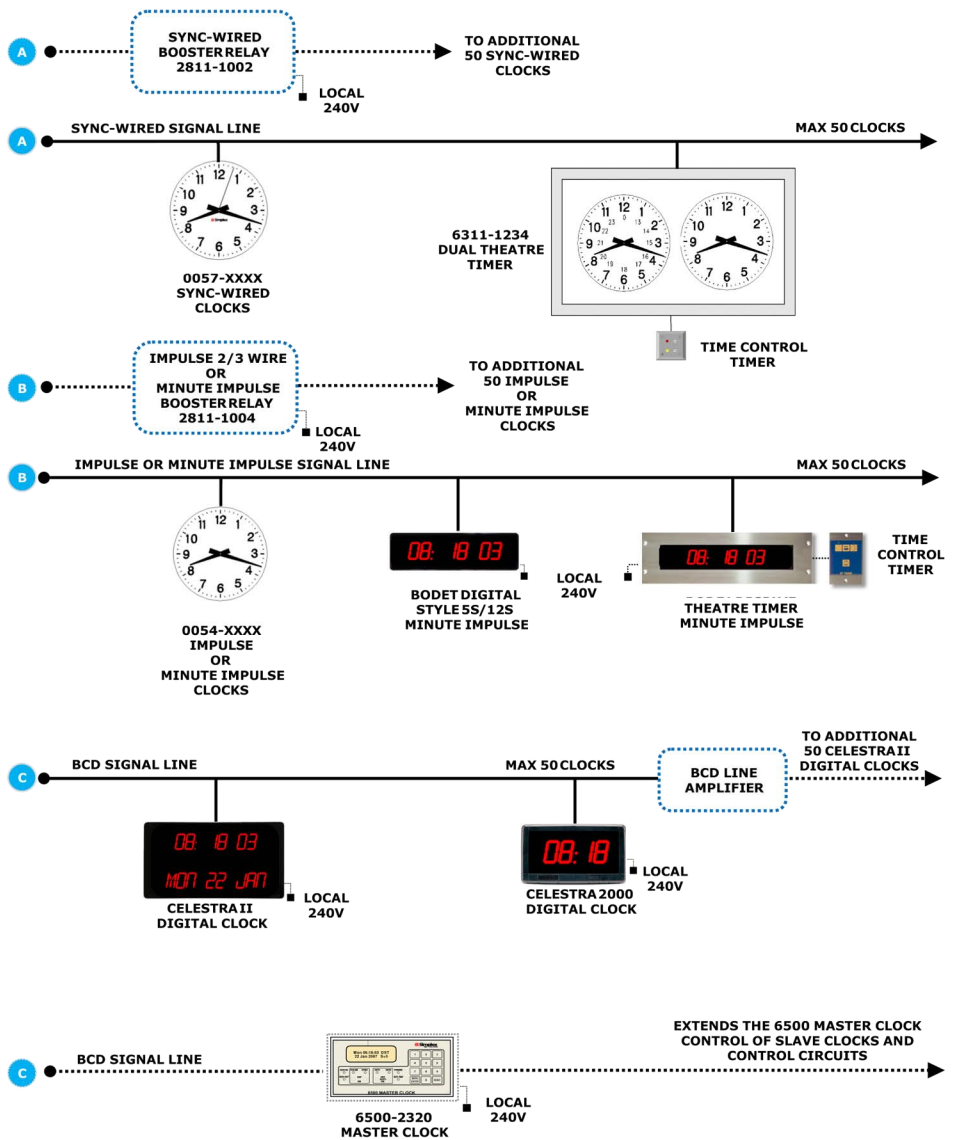
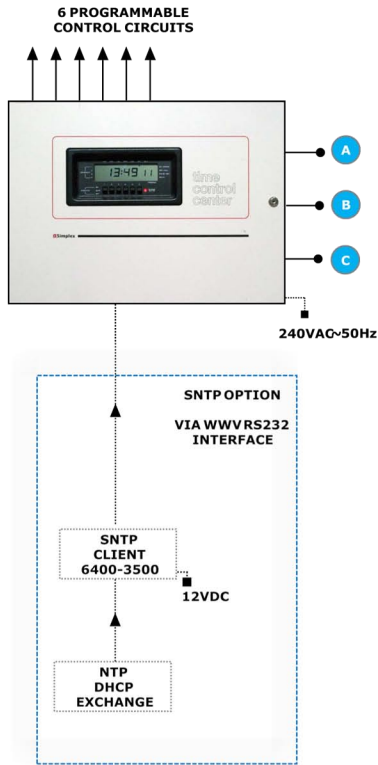
Rack Mounted 6400 Time Control Centre



Panel Mounted 6400 Time Control Centre

Contact Us

Phone: 13 14 91
 Email: simplextime.au@tycointl.com
 Website: www.simplextime.com.au



CABLE SCHEDULE	
A	SYNC WIRED - 3 X 2.5mm ² TPS/TPI + EARTH
B	MINUTE IMPULSE - 2 X 2.5mm ² TPS/TPI
C	BCD - TWISTED SHIELDED DATA PAIR (BELDEN B760 OR EQUIVALENT)

Contact Us

Phone: 13 14 91
Email: simplextime.au@tycointl.com
Website: www.simplextime.com.au